

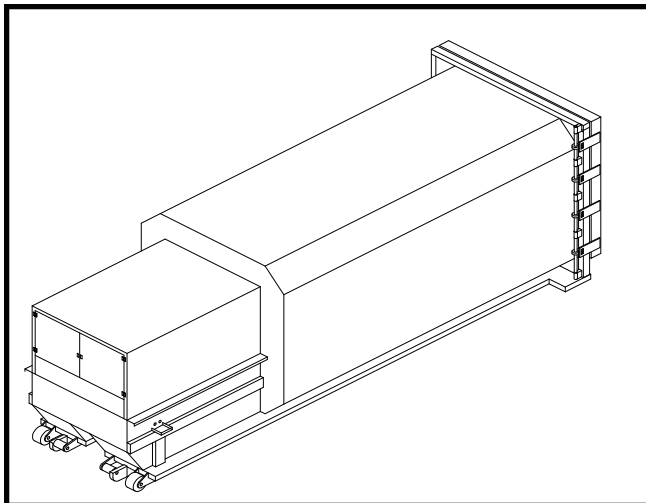
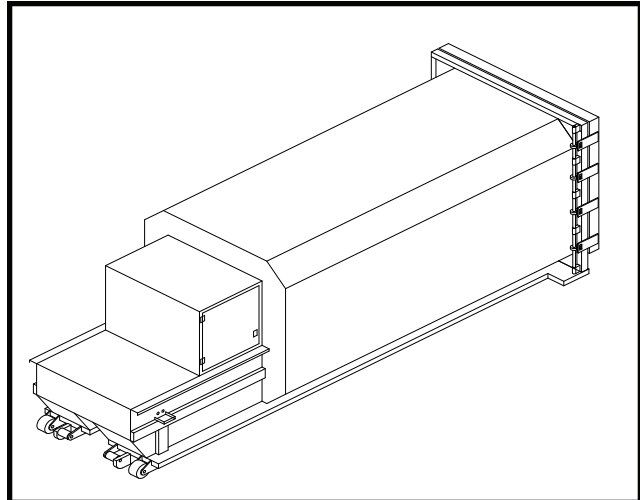


SELF-CONTAINED COMPACTORS OPTIONS

OPTION A-3227

SIDE FEED DOGHOUSE
WITH ONE DOOR AND INTERLOCK
SWITCH

NOTE: FOR DRIVER'S SIDED OR
PASSENGER SIDED



OPTION A-3228

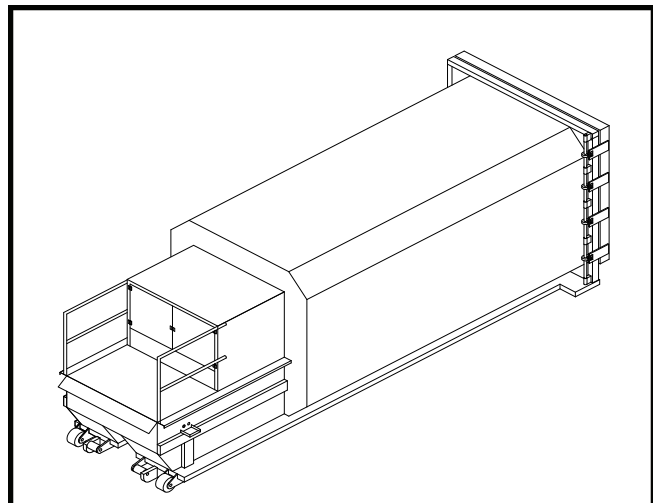
**REAR FEED DOGHOUSE EXTENDED
TO THE REAR**

WITH TWO DOORS AND INTERLOCK
SWITCH

NOTE: PLEASE NOTE LOCATION OF
HANDLES, FOR DOCK FEED OR
GROUND FEED

OPTION A-3229

REAR FEED DOGHOUSE
WITH TWO DOORS AND INTERLOCK
SWITCH WITH 7GA. WALK-ON DECK,
HAND RAILS, KICK PLATE
18" HINGED DOCK EXTENSION

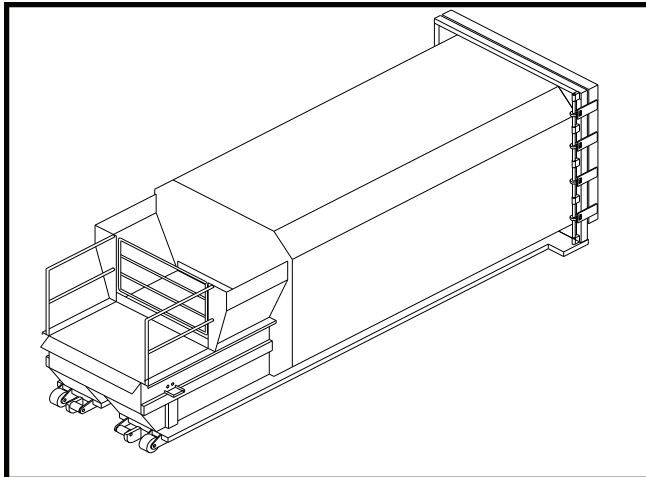
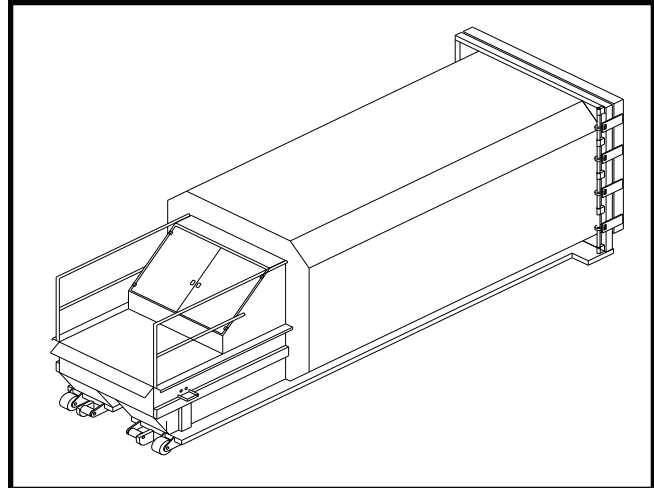




SELF-CONTAINED COMPACTORS OPTIONS

OPTION A-3230

REAR FEED 45 DEGREE HOPPER
(CELLAR TYPE) WITH TWO DOORS
AND INTERLOCK SWITCH WITH
7GA. WALK-ON DECK, HAND RAILS,
KICK PLATE
18" HINGED DOCK EXTENSION

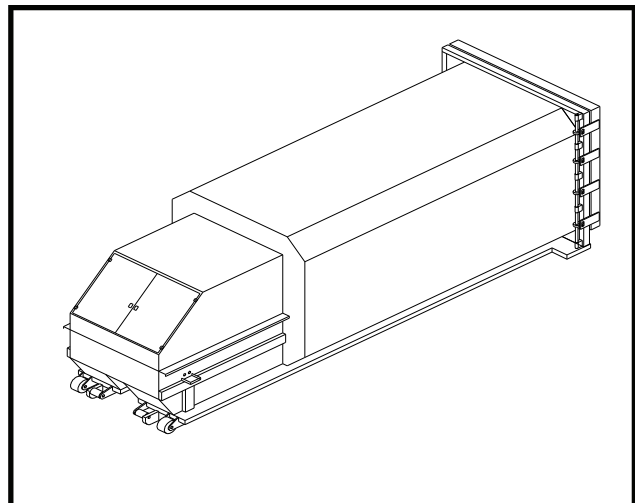


OPTION A-3231

**REAR FEED FLARED TWO SIDED
HOPPER**
WITH 7GA. WALK-ON DECK, HAND
RAILS, KICK PLATE, SAFETY GATE
WITH INTERLOCK SWITCH
18" HINGED DOCK EXTENSION

OPTION A-3232

**REAR FEED 45 DEGREE HOPPER
EXTENDED TO THE REAR**
(CELLAR TYPE) WITH TWO DOORS
AND INTERLOCK SWITCH
NOTE: PLEASE NOTE LOCATION OF
HANDLES, FOR DOCK FEED OR
GROUND FEED



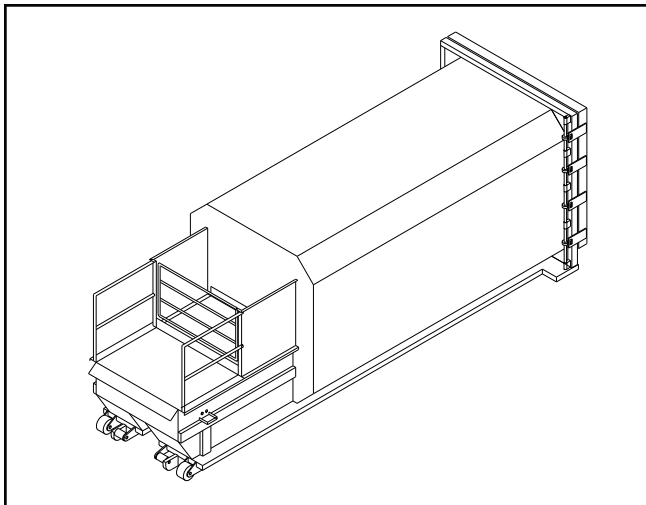
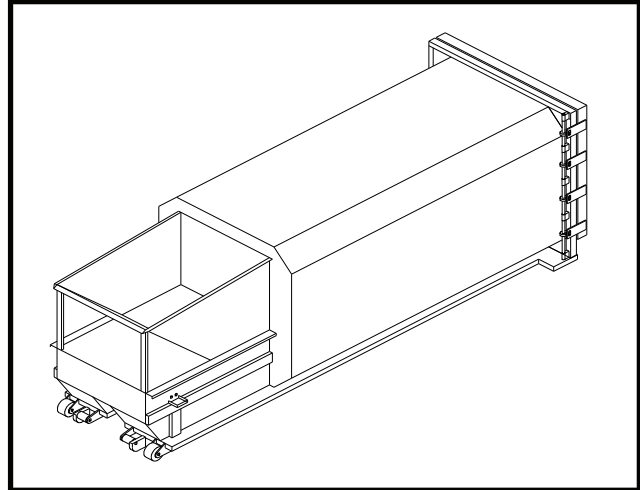


SELF-CONTAINED COMPACTORS OPTIONS

OPTION A-3233

**REAR FEED HOPPER EXTEND TO
THE REAR**

NOTE: FOR DOCK FEED BY HAND 11GA
MATERIAL



OPTION A-3234

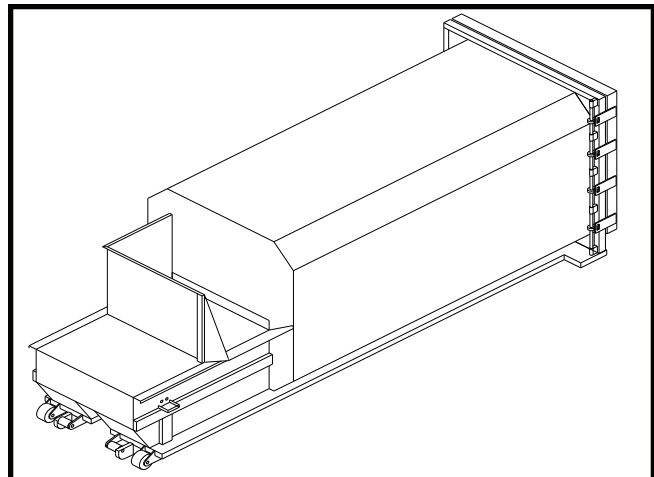
**REAR FEED STRAIGHT TWO
SIDED HOPPER**

WITH 7GA. WALK-ON DECK, HAND
RAILS, KICK PLATE, SAFETY GATE
WITH INTERLOCK SWITCH
18" HINGED DOCK EXTENSION

OPTION A-3235

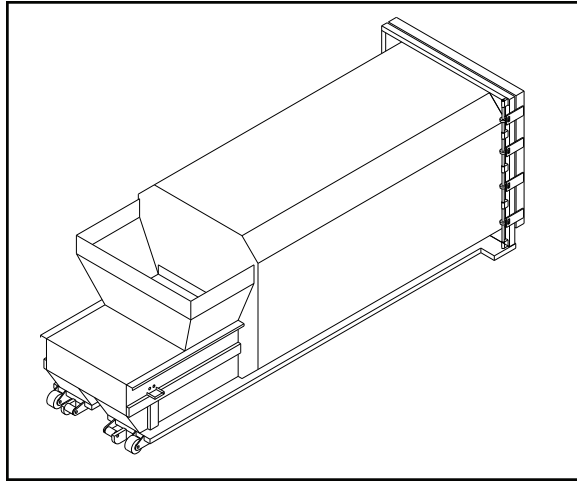
**STRAIGHT THREE SIDED FEED
HOPPER**

NOTE: FOR DRIVER'S SIDED OR
PASSENGER SIDED

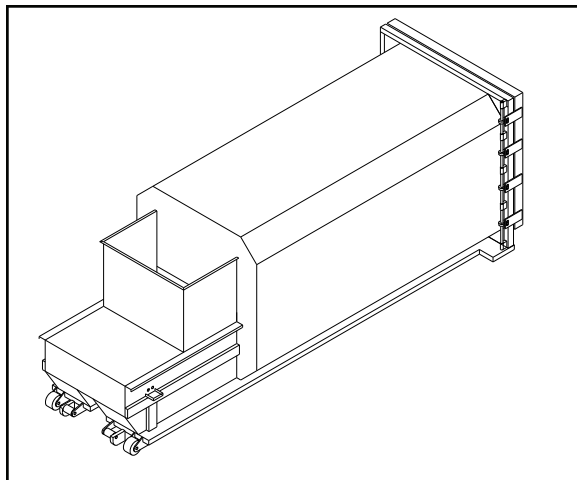




SELF-CONTAINED COMPACTORS OPTIONS



OPTION A-3236
FLARED TOP FEED HOPPER



OPTION A-3237
STRAIGHT TOP FEED HOPPER



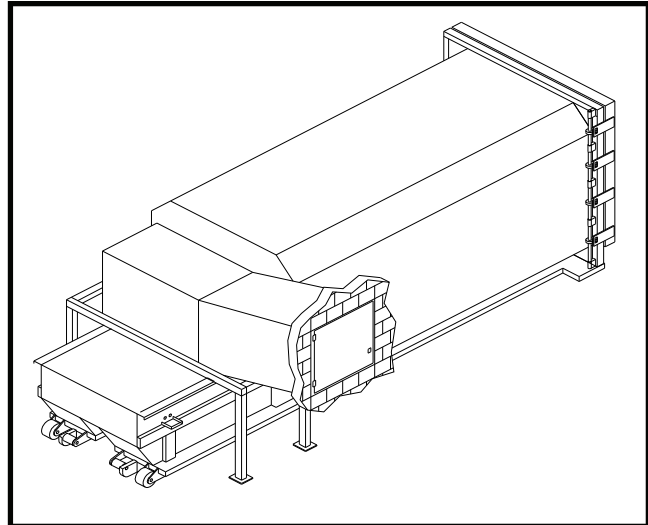
SELF-CONTAINED COMPACTORS OPTIONS

OPTION A-3240

SIDED FEED SECURITY CHUTE THRU THE WALL

40" HIGH X 96" LONG
WITH ONE DOOR (40" X 40") ,
INTERLOCK SWITCH AND
WALL FLASHING

NOTE: PLEASE NOTE DRIVER'S OR
PASSENGER SIDE

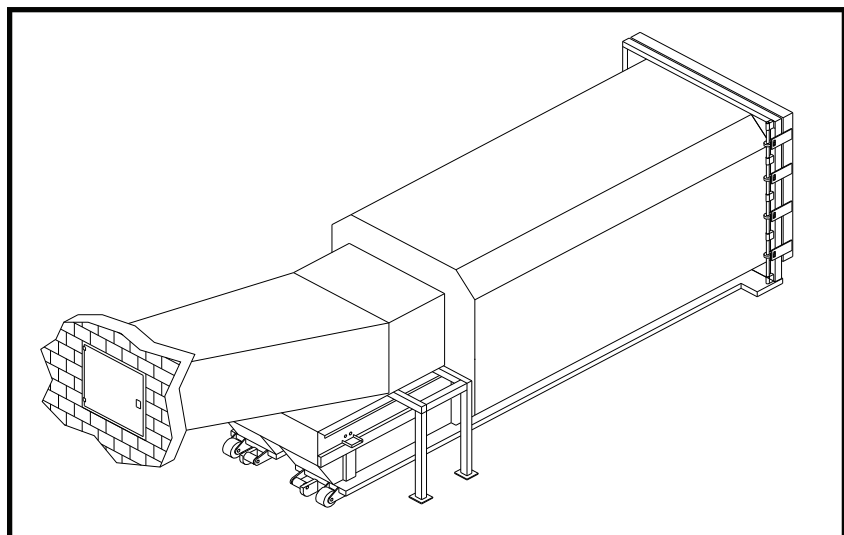


**ALL ORDERS MUST HAVE A COMPLETED
SELF-CONTAINED
SURVEY SHEET SLS 0203 AND SLS 0205**

OPTION A-3241

REAR FEED SECURITY CHUTE THRU THE WALL

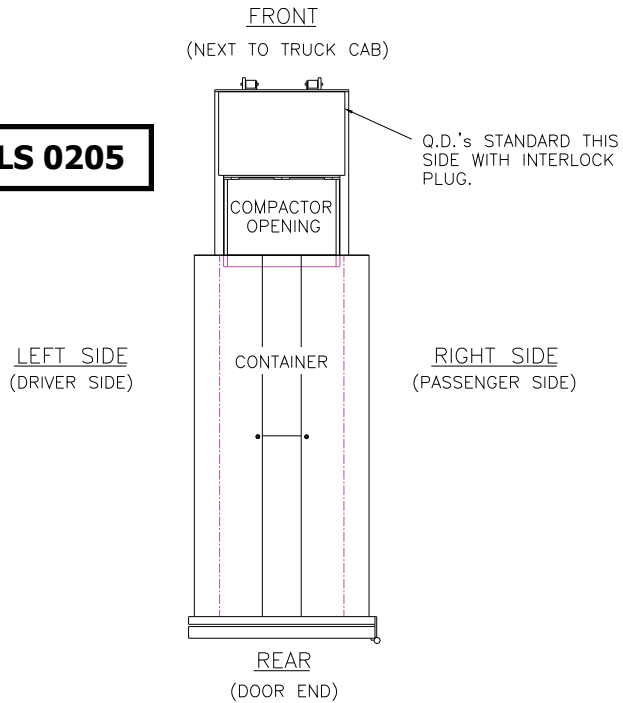
40" HIGH X 96" LONG
WITH ONE DOOR
(40" X 40") ,
INTERLOCK SWITCH AND
WALL FLASHING





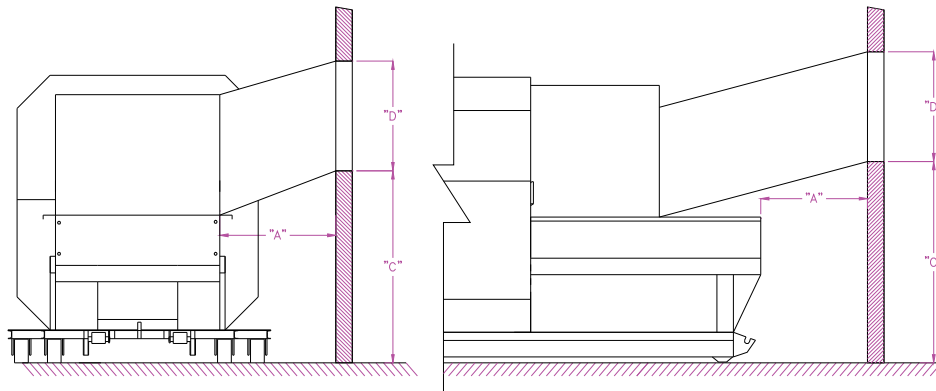
SELF-CONTAINED COMPACTORS OPTIONS

SLS 0205



ALL SELF-CONTAINED ORDERS MUST HAVE A COMPLETED SURVEY SHEET ATTACHED

NOTE: LOCATION OF POWER UNIT, QUICK DISCONNECTS AND INTERLOCK PLUG



CHUTE:1
SIDE LOAD
(RIGHT OR LEFT)

CHUTE:2
REAR LOAD

SLS 0203

DIM	CHUTE:1	CHUTE:2
"A"		
"B"		
"C"		
"D"		

NOTES:
